

Data Sheet

Danfoss Ally™ Protect RA

Application



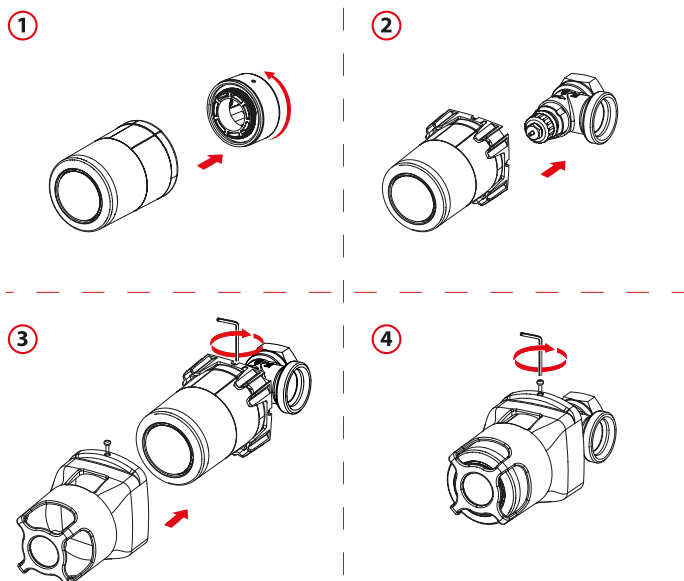
Danfoss Ally™ Protect RA is an accessory which protects and increases the strength of the electronic radiator thermostat.

The accessory prevents users from removing the batteries inside the electronic radiator thermostat or unmount electric radiator thermostat itself without a tool. Danfoss Ally™ Protect RA gives access to the electronic radiator thermostat display and handle, allowing the user to interact with the electronic radiator thermostat unless these features are disabled through the gateway. Danfoss Ally™ Protect RA is composed of 2 plastic parts (and a M3 screw) and can be used with both the Danfoss Ally™ Electronic Radiator Thermostat and the Danfoss Eco™, as well as in a combination with the Danfoss Ally™ Power Module 24V. Danfoss Ally™ Protect RA does not affect temperature measurement or other performance of the electronic radiator.

Ordering

Product	Language	Code No.
Danfoss Ally™ Protect RA	EN, DE, DK, FR, IT, PL, CZ, UA, RU, SE, ES	014G0200

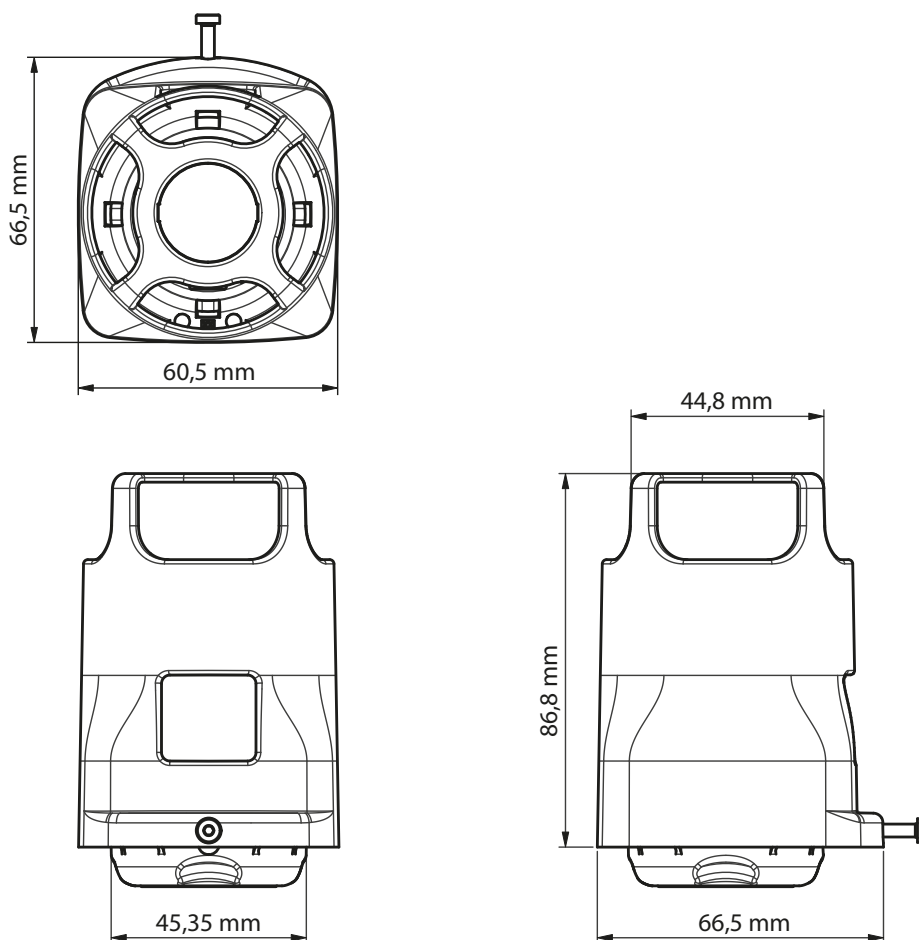
Easy Installation



Technical Specifications

Danfoss Ally™ Protect RA	
Product type	Tamper proof shell
Recommended use	For electronic thermostatic radiator valve controllers
Adaptor mounting	Compatible with a standard RA adaptor
Lifetime	Mount / Dismount around 10 times in a lifetime
Bending strength	500N or 50 kg
Color	RAL 7035
Type of materials (Base/Shell/Screw)	ABS / ABS / Steel, zinc blue plated
Weight	47 g
Size	100x60 mm

Dimensions



Danfoss A/S

Climate Solutions • danfoss.com • +45 7488 2222

Any information, including, but not limited to information on selection of product, its application or use, product design, weight, dimensions, capacity or any other technical data in product manuals, catalogues descriptions, advertisements, etc. and whether made available in writing, orally, electronically, online or via download, shall be considered informative, and is only binding if and to the extent, explicit reference is made in a quotation or order confirmation. Danfoss cannot accept any responsibility for possible errors in catalogues, brochures, videos and other material. Danfoss reserves the right to alter its products without notice. This also applies to products ordered but not delivered provided that such alterations can be made without changes to form, fit or function of the product.

All trademarks in this material are property of Danfoss A/S or Danfoss group companies. Danfoss and the Danfoss logo are trademarks of Danfoss A/S. All rights reserved.